

1

2

3

4

A

A

B

B

C

C

D

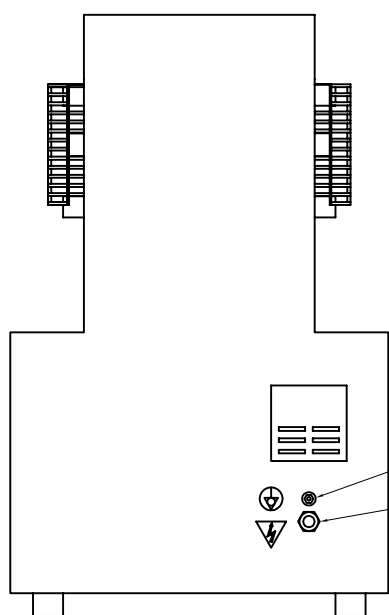
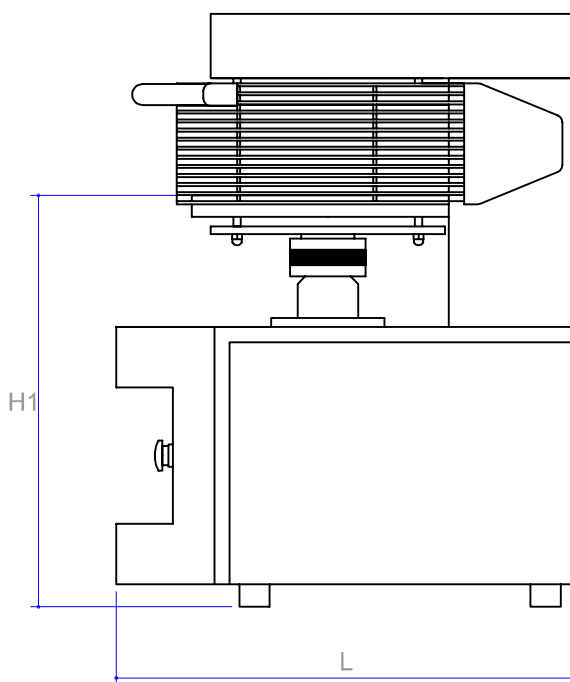
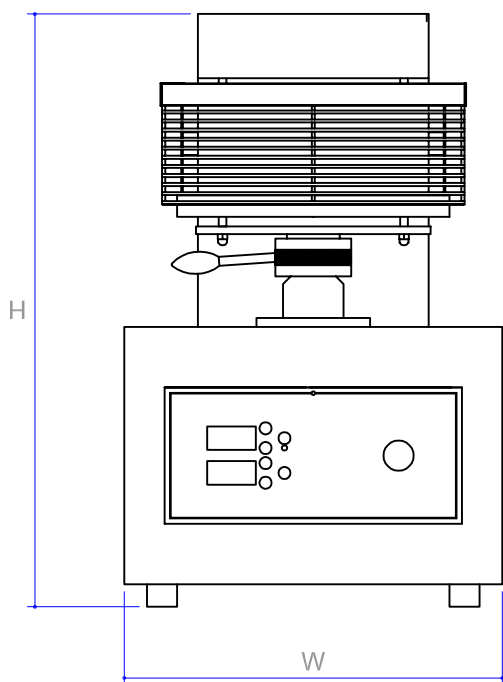
D

E

E

F

F



MODELLO MODEL	DIMENSIONI ESTERNE EXTERNAL DIMENSIONS (Inches)				PESO NET WEIGHT Lb
	W	L	H	H1	
PZF/30	19,69	24,02	30,31	21,65	315,26
PZF/35	19,69	24,02	30,31	21,65	324,08
PZF/40	21,65	27,95	33,27	23,62	410,06
PZF/45	21,65	27,95	33,27	23,62	421,08
PZF/50	21,65	27,95	33,27	23,62	432,11

Q	Equipotenziale – Equipotential
I	Pressacavo – Cord socket

Note: measurement are in inches



Description: Installation plan					Replaces:	Orig. form.: A4
Product: PIZZAFORM					Replaced:	Scale: -
2						Draw. N.: 1
1						Autore.: VRN
0	09/11/2011	F.Veronese	F.Veronese	F.Cuppone	First Issue	File name: 111109BR00
N°	Date	Exec.	Check	Approved	Description	

Note: THIS DESIGN IS EXCLUSIVE PROPERTY OF THE COMPANY CUPPONE F. LLI SRL

1

2

3

4