
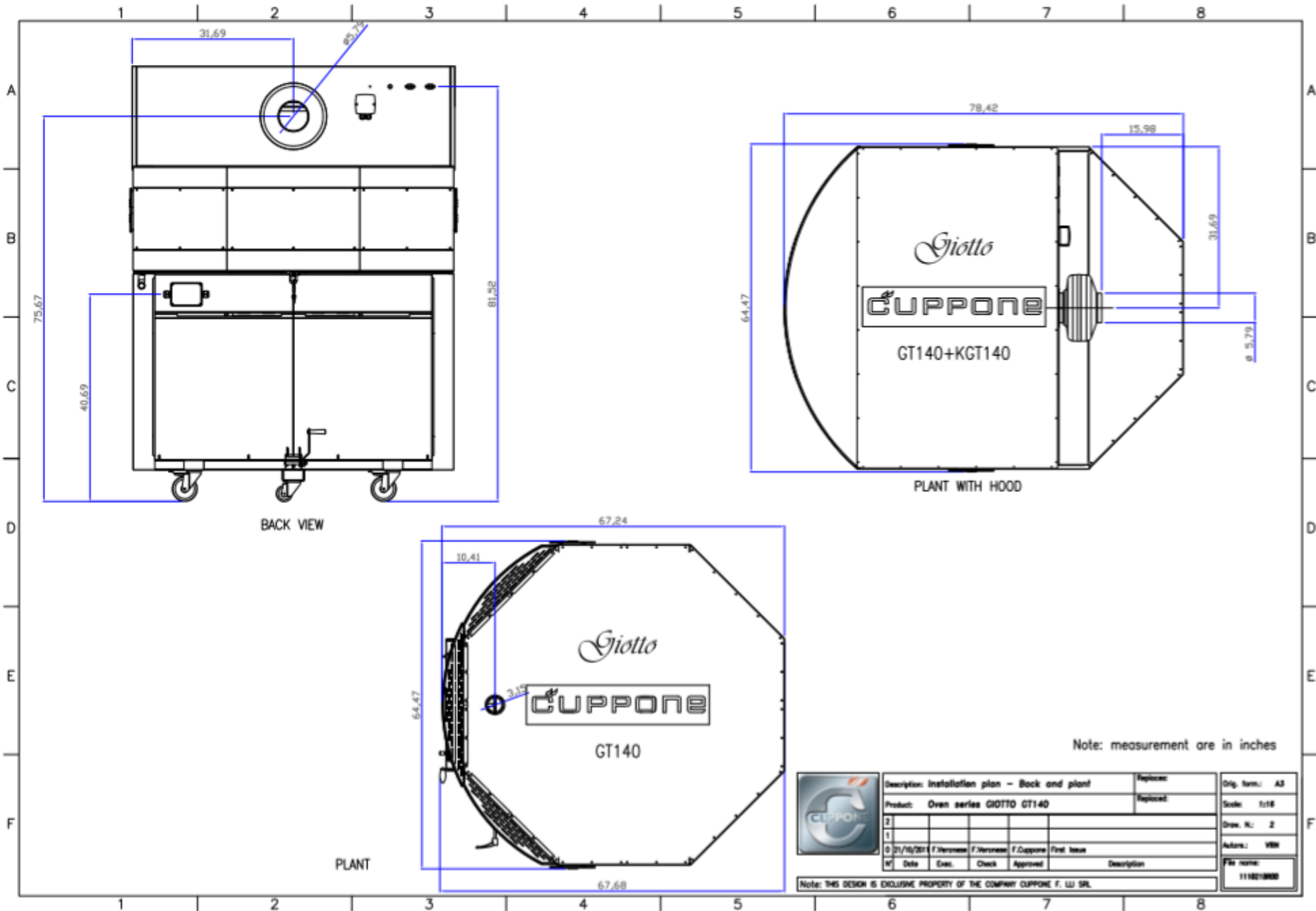


Note: measurement are in inches

	Description: installation plan - Front and side				Replaces:	Orig. Item: A3
	Product: Oven series GIOTTO GT140				Replaces:	Scale: 1:16
2						Draw. N.: 1
1						Author: VSM
0	21/10/2011	F. Veronesi	F. Veronesi	F. Cuppone	Final Issue	File name:
N°	Date	Exec.	Check	Approved	Description	111021000

Note: THIS DESIGN IS EXCLUSIVE PROPERTY OF THE COMPANY CUPPONE F. LU SRL



Note: measurement are in inches

	Description: installation plan - Back and plant				Replaces:	Orig. Item: A3
	Product: Oven series GIOTTO GT140				Replaces:	Scale: 1:16
2						Draw. N.: 2
1						Author: VM
0	21/10/2014	F. Marone	F. Marone	F. Cuppone	First Issue	File name: 111821890
W	Date	Exec.	Check	Approved	Description	

Note: THIS DESIGN IS EXCLUSIVE PROPERTY OF THE COMPANY CUPPONE F. LU. SRL