

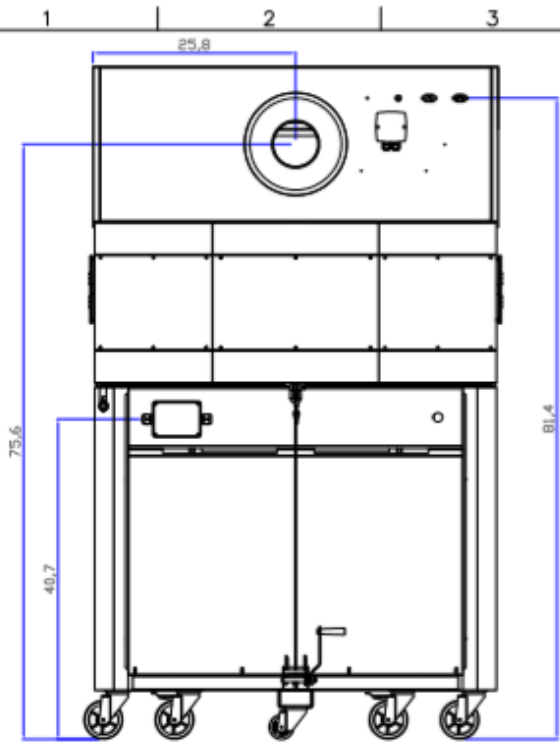
Note: measurement are in inches



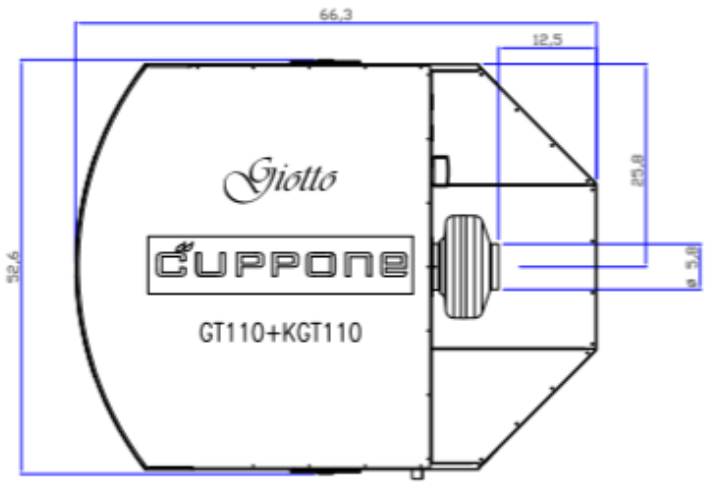
Description: Installation plan - Front and side				Replaces:	
Product: Oven series GIOTTO GT110				Replaces:	
2					
1					
0	16/01/2012	F. Marone	F. Marone	F. Cuppone	First Issue
M	Date	Exec.	Check	Approved	Description

Orig. Item: A3
Scale: 1:15
Draw. N.: 1
Author: VM
File name: 120118000

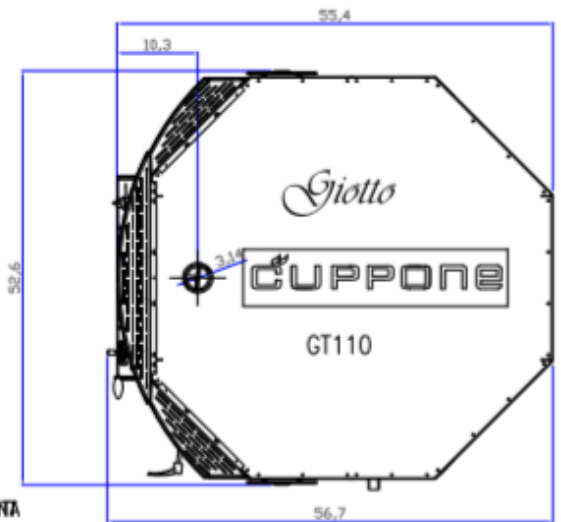
Note: THIS DESIGN IS EXCLUSIVE PROPERTY OF THE COMPANY CUPPONE F. LU SRL



BACK VIEW



PLANT WITH HOOD



PIANTA

Note: measurement are in inches



Description: Installation plan - Back and plant		Replaces:	Orig. Item: A3
Product: Oven series GIOTTO GT110		Replaces:	Scale: 1:15
2			Draw. N.: 2
1			Autore: VSW
D	28/01/2010	F. Veronesi	F. Veronesi
M			
	Date	Exec.	Check
			Approved
			Description
File name:			120108000

Note: THIS DESIGN IS EXCLUSIVE PROPERTY OF THE COMPANY CUPPONE F. LI. SRL