

1

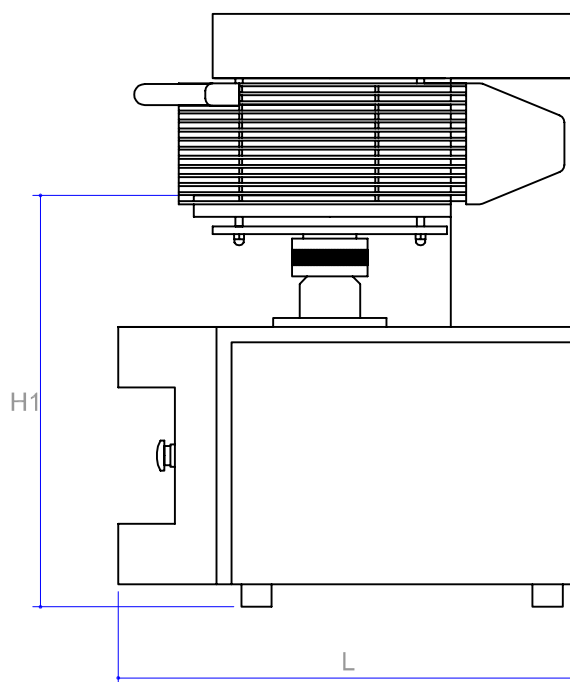
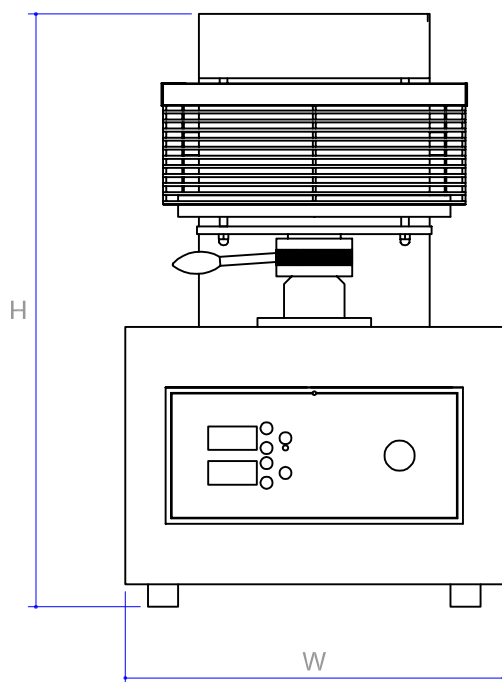
2

3

4

A

A



B

B

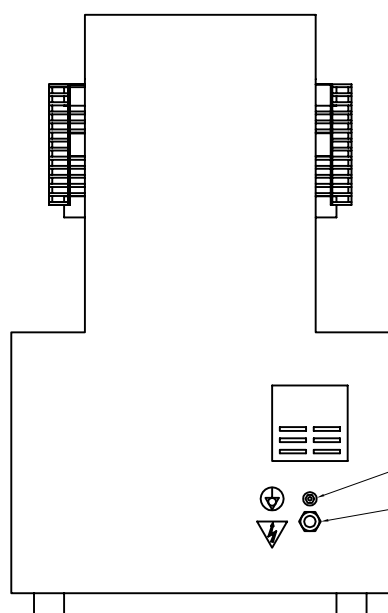
C

C

MODELLO MODEL	DIMENSIONI ESTERNE EXTERNAL DIMENSIONS (Inches)				PESO NET WEIGHT Lb
	W	L	H	H1	
PZF/30	19,69	24,02	30,31	21,65	315,26
PZF/35	19,69	24,02	30,31	21,65	324,08
PZF/40	21,65	27,95	33,27	23,62	410,06
PZF/45	21,65	27,95	33,27	23,62	421,08
PZF/50	21,65	27,95	33,27	23,62	432,11

D

D



Q	Equipotenziale – Equipotential
I	Pressacavo – Cord socket

E

E

Note: measurement are in inches

F

F



Description: <b>Installation plan</b>					Replaces:	Orig. form.: <b>A4</b>
Product: <b>PIZZAFORM</b>					Replaced:	Scale: <b>-</b>
2						Draw. N.: <b>1</b>
1						Autore.: <b>VRN</b>
0	09/11/2011	F.Veronese	F.Veronese	F.Cuppone	First Issue	File name: <b>111109BR00</b>
N°	Date	Exec.	Check	Approved	Description	

Note: THIS DESIGN IS EXCLUSIVE PROPERTY OF THE COMPANY CUPPONE F. LLI SRL

1

2

3

4