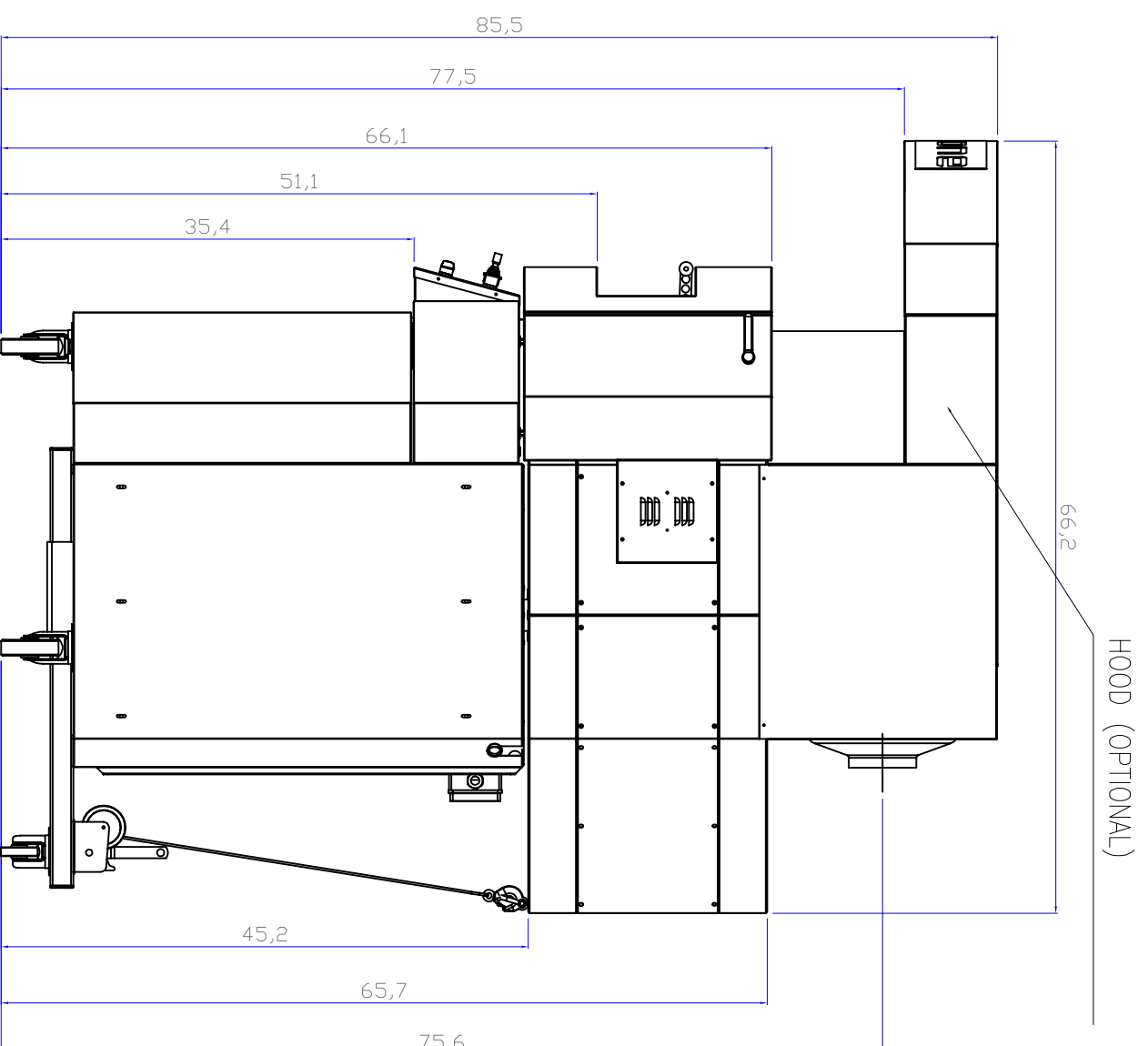


FRONT VIEW



SIDE VIEW

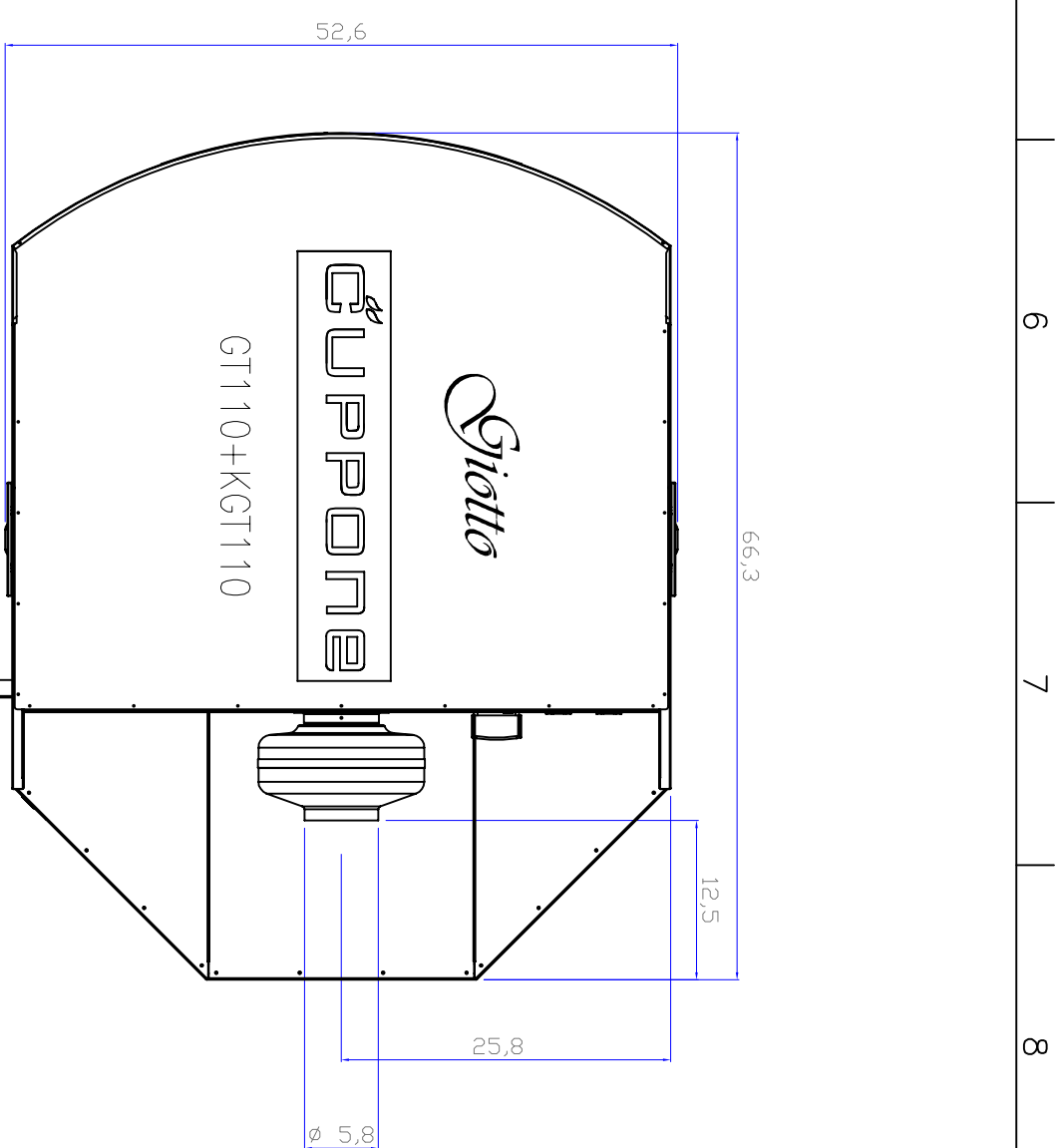
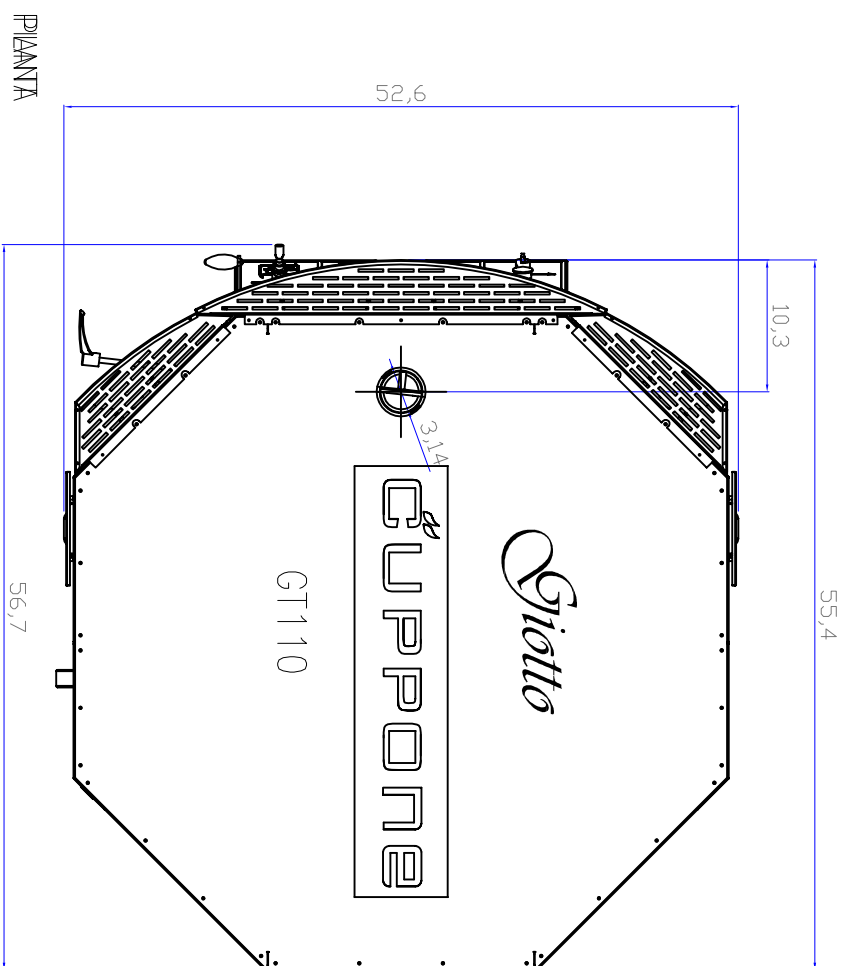
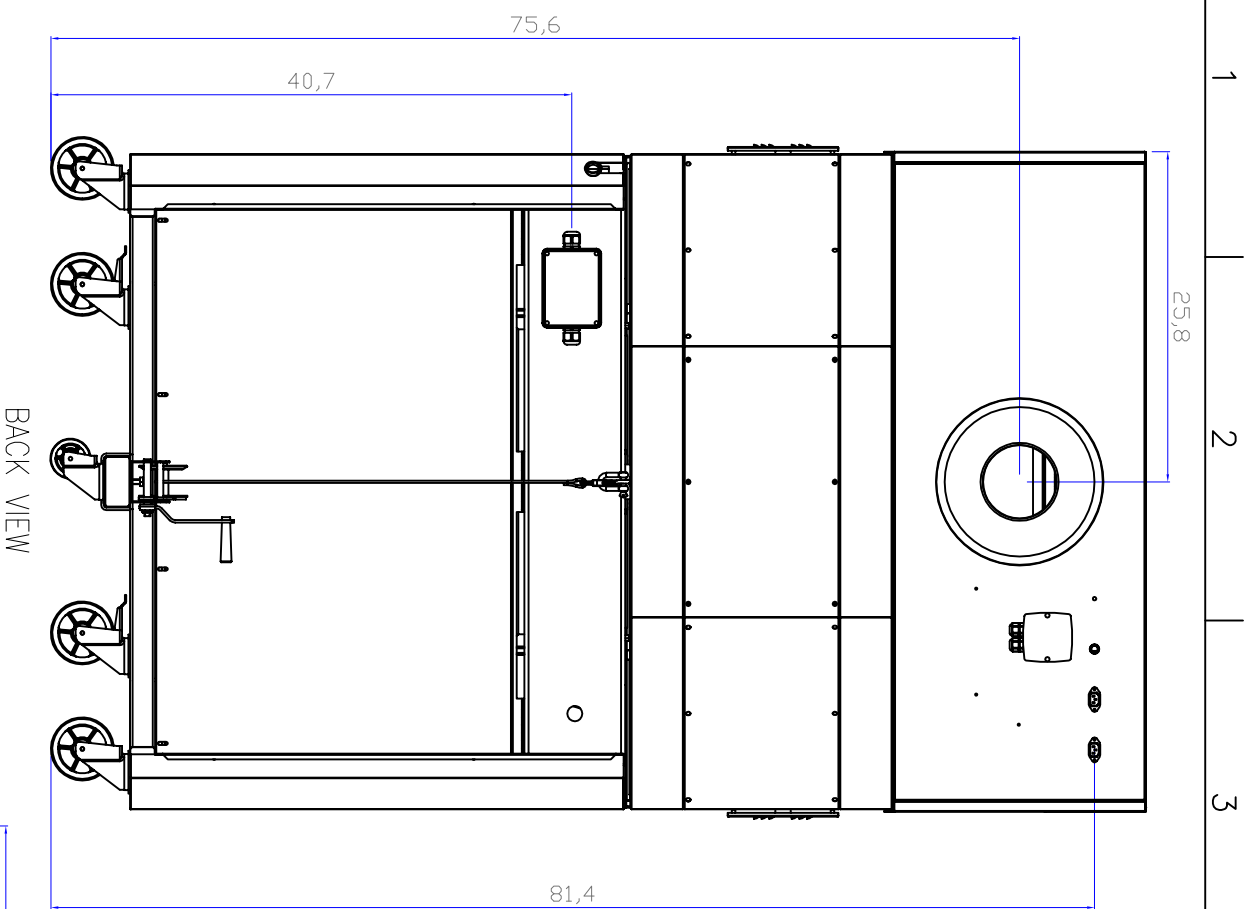
Note: measurement are in inches



Description: Installation plan – Front and side		Replaces:
Product: Oven series GIOTTO GT110		Replaced:
N°	Date	Exec.
2		
1		
0	18/01/2012	F.Veronese
		F.Veronese
		F.Cuppone
		Frst Issue
Description		

Note: THIS DESIGN IS EXCLUSIVE PROPERTY OF THE COMPANY CUPPONE F. LI SRL

Orig. form.: A3
Scale: 1:15
Draw. N.: 1
Autore.: VRN
File name: 120118BR00



Note: measurement are in inches



Description: Installation plan – Back and plant		Replaces:
Product: Oven series GIOTTO GT110		Replaced:
N°	Date	Exec.
0	18/01/2012	F. Veronese
1		F. Veronese
2		F. Cuppone
Description		Frst Issue

Note: THIS DESIGN IS EXCLUSIVE PROPERTY OF THE COMPANY CUPPONE F. LI SRL

Orig. form.: A3
Scale: 1:15
Draw. N.: 2
Autore.: VRN
File name: 120118BR00